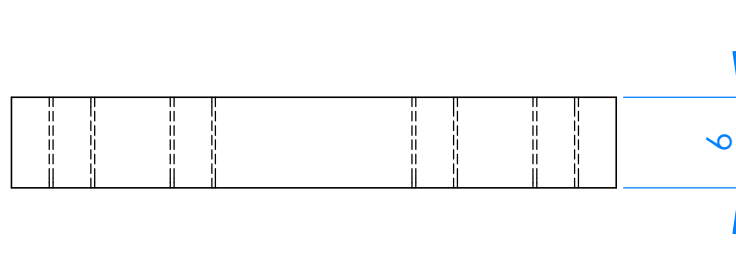
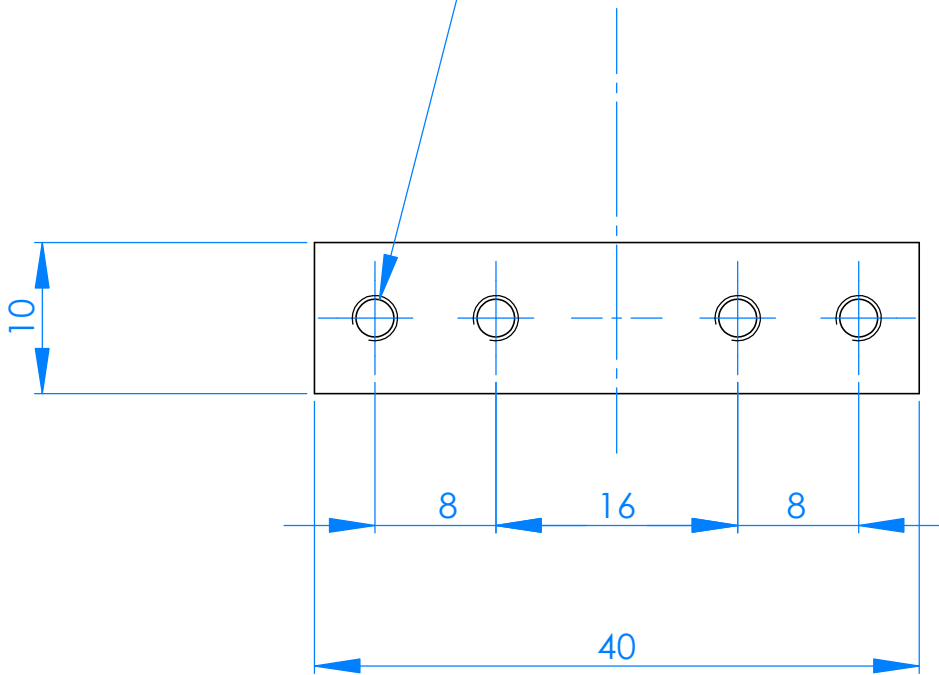


4 x \varnothing 2,50 THRU ALL
M3x0.5 - 6H THRU ALL



Material : Pa 66, WIT
Hardness : - HRC
Roughness : 3.2 Ra
Finish : -
Parts should be free of burrs.

All dimensions in mm
Scale 2:1 (sheet size : A4)



SKYSCAN nv
Vluchtenburgstraat 3
B-2630 Aartselaar

Draft : Thierry Bonami
Date : 02/08/2006

3001-173-1_Block

Sheet
1 of 1