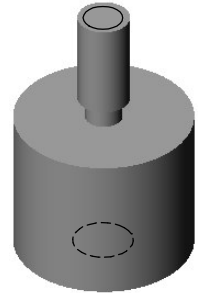
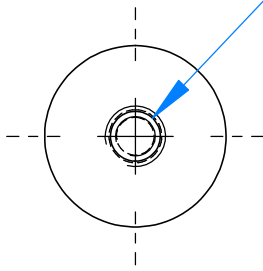
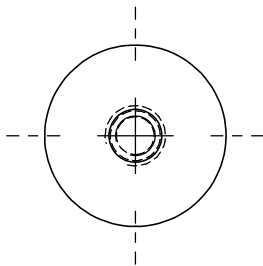
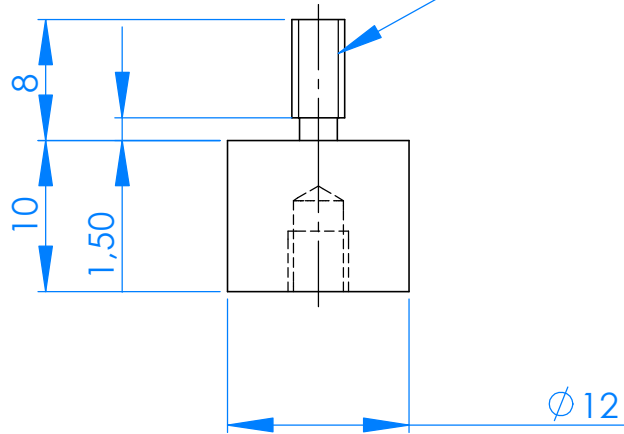


$\phi$  3,30  $\nabla$  6  
M4x0.7 - 6H  $\nabla$  4



UNC #6x1/2



Material : AlMgSi1  
Hardness : -  
Roughness : 3.2 Ra  
Finish : -  
Parts should be free of burrs.

All dimensions in mm  
Scale 2:1 (sheet size : A4)



SKYSCAN nv  
Vluchtenburgstraat 3  
B-2630 Aartselaar

Draft : TB / KV  
Date : 25/10/2005

3001-166-2\_Source\_holder

Sheet  
1 of 1