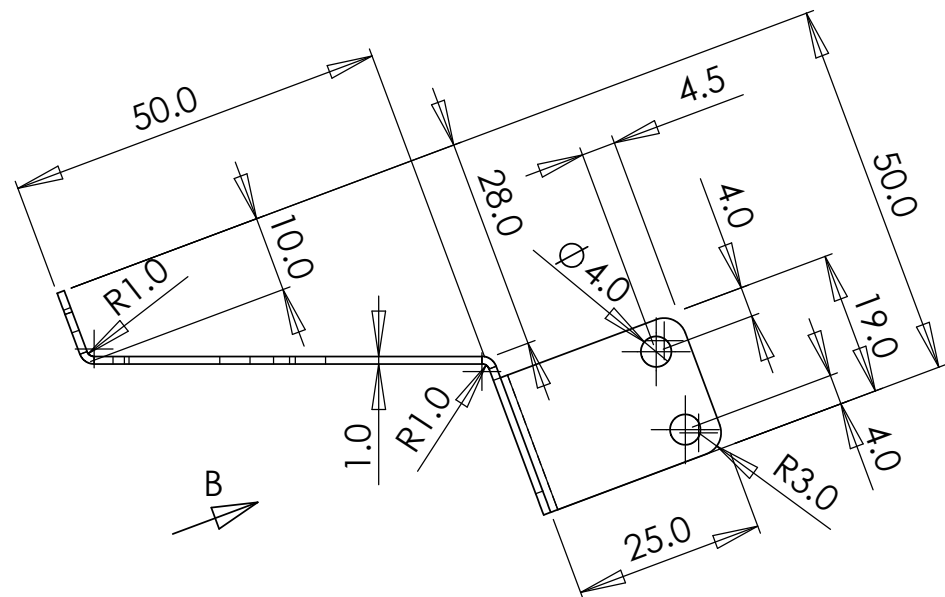

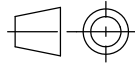


VIEW B
SCALE 1 : 1



B

<p>Material : St37K 1mm Hardness : Roughness : Finish : RAL 9005 structured Parts should be free of burrs.</p>	 SKYSCAN nv Vluchtenburgstraat 3 B-2630 Aartselaar
<p>All dimensions in mm Scale 1:2 (sheet size : A4)</p>	 Draft : AS / KV Date : 18/10/2005
<p>3001-159-1_lightpipeholder Sheet 1 of 1</p>	