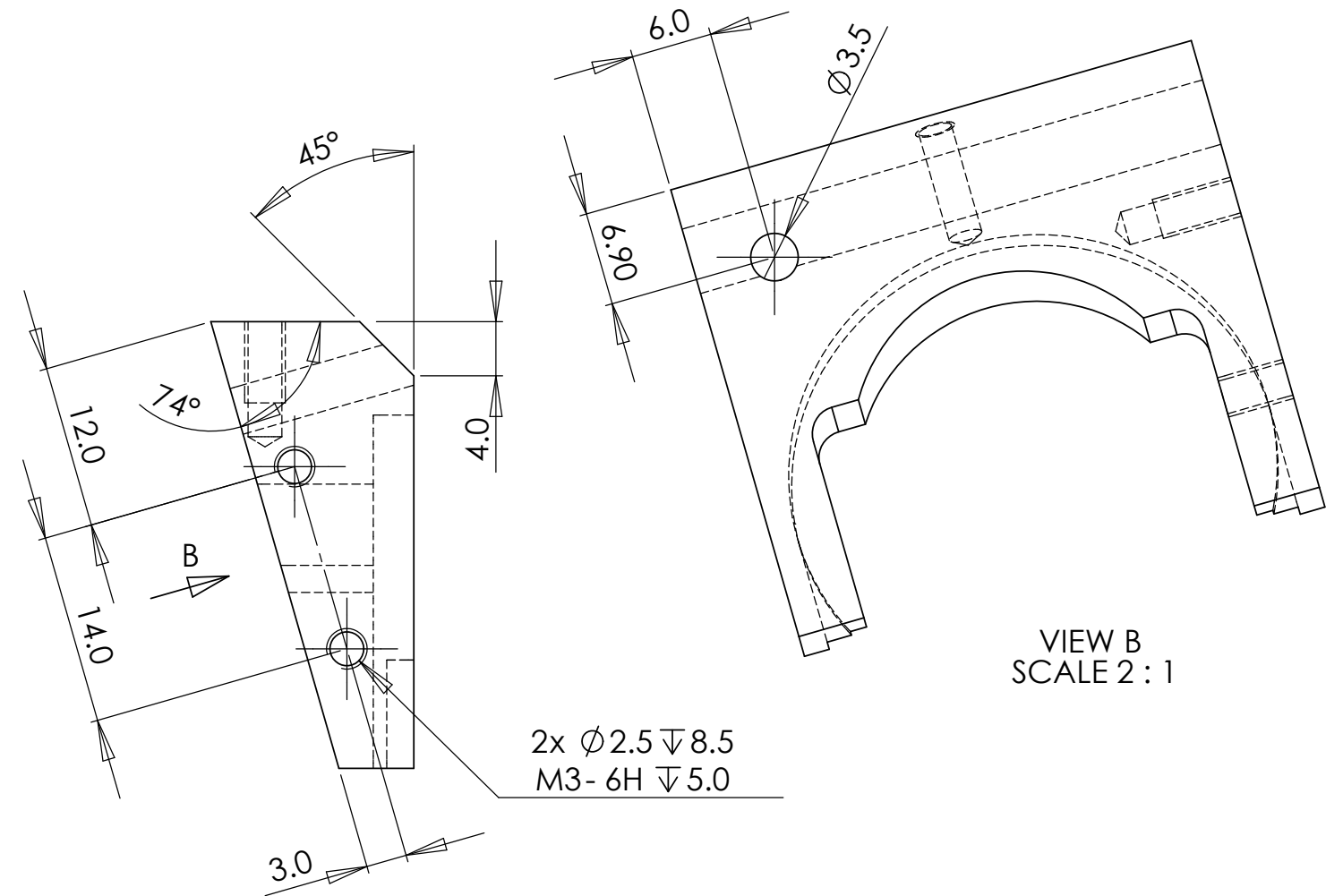
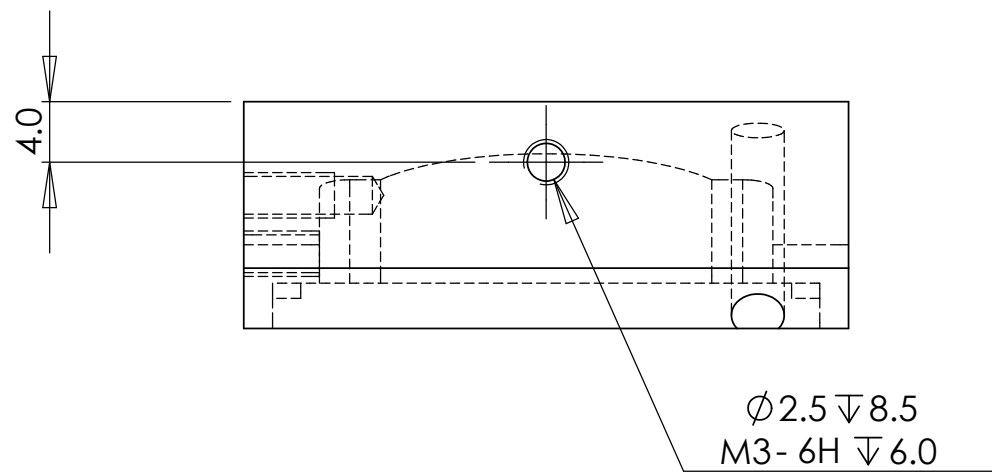
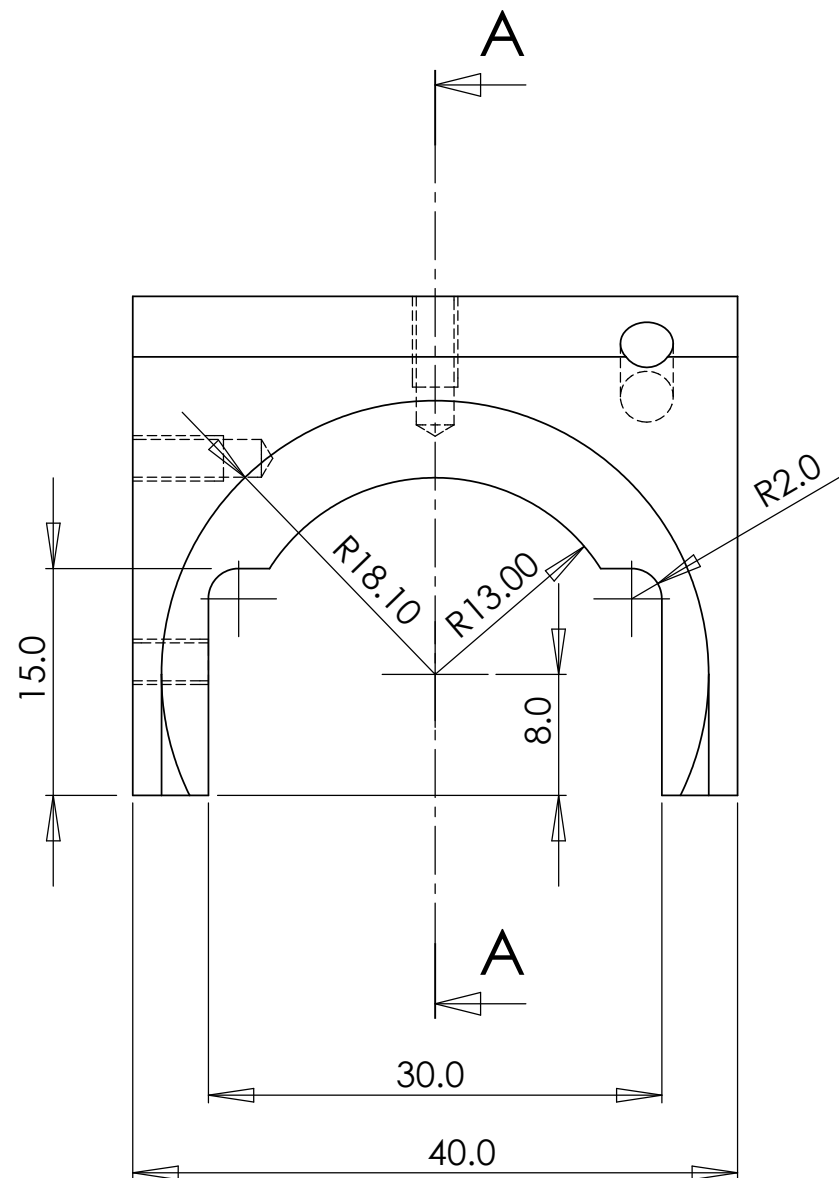


SECTION A-A
SCALE 2 : 1



VIEW B
SCALE 2 : 1

2x Ø2.5 ∇ 8.5
M3- 6H ∇ 5.0

Material : stainless steel
Hardness : - HRC
Roughness : 3.2 Ra
Finish : -
Parts should be free of burrs



SKYSCAN nv
Vluchtenburgstraat 3
B-2630 Aartselaar

Draft : AS / KV
Date : 26/10/2005

General tolerances, unless otherwise specified ; Algemene toleranties, tenzij anders aangegeven :	
Dim	Tol
x.x	± 0.1mm
x.xx	± 0.05mm
x°	± 30'

All dimensions in mm
Scale 1:1 (sheet size : A3)



3001-155-2_front_holder