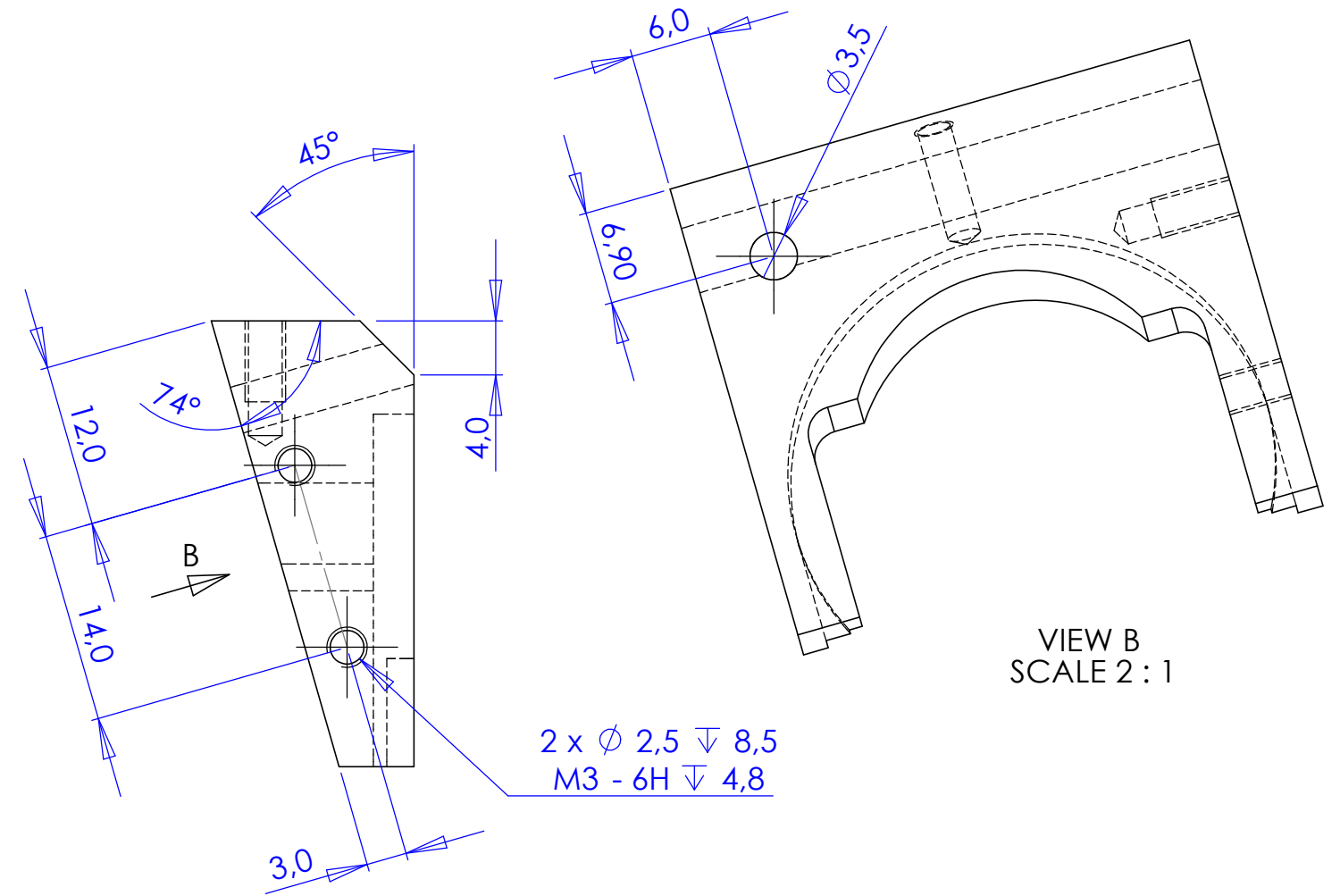
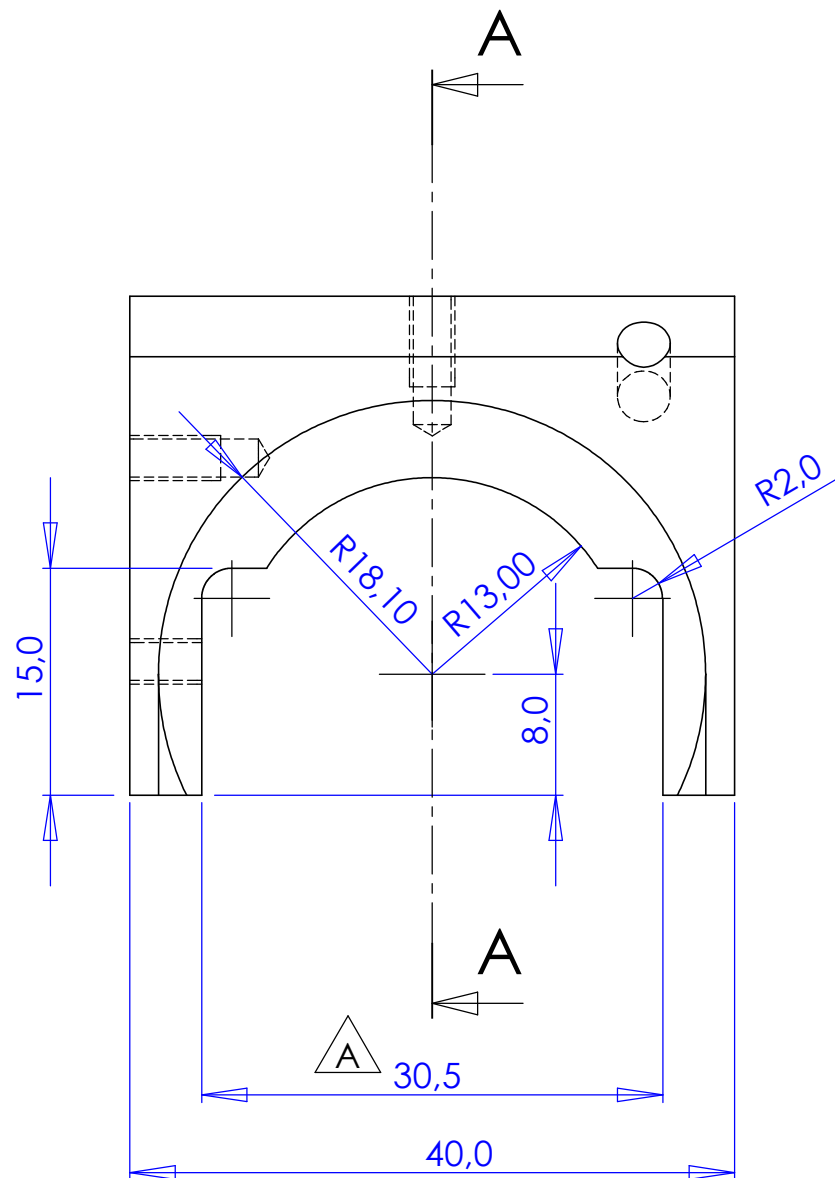
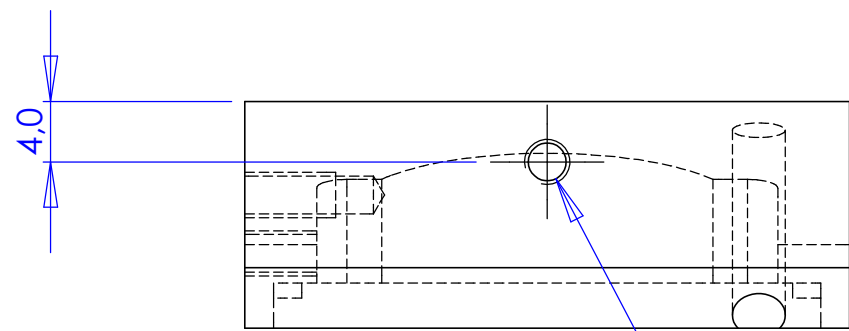


SECTION A-A
SCALE 2 : 1



VIEW B
SCALE 2 : 1



Ø 2,5 ∇ 8,5
M3 - 6H ∇ 6,0

REVISIONS				
ZONE	REV.	DESCRIPTION	DATE	APPROVED
	A	30.5 was 30.0	2/08/2006	

General tolerances, unless otherwise specified ;
Algemene toleranties, tenzij anders aangegeven :

Dim	Tol
x.x	± 0.1mm
x.xx	± 0.05mm
x°	± 30'

Material : stainless steel
Hardness : - HRC
Roughness : 3.2 Ra
Finish : Black anodised
Parts should be free of burrs

All dimensions in mm
Scale 1:1 (sheet size : A3)



SKYSCAN nv
Vluchtenburgstraat 3
B-2630 Aartselaar

Draff : AS / KV
Date : 26/10/2005

3001-155-2_front_holder