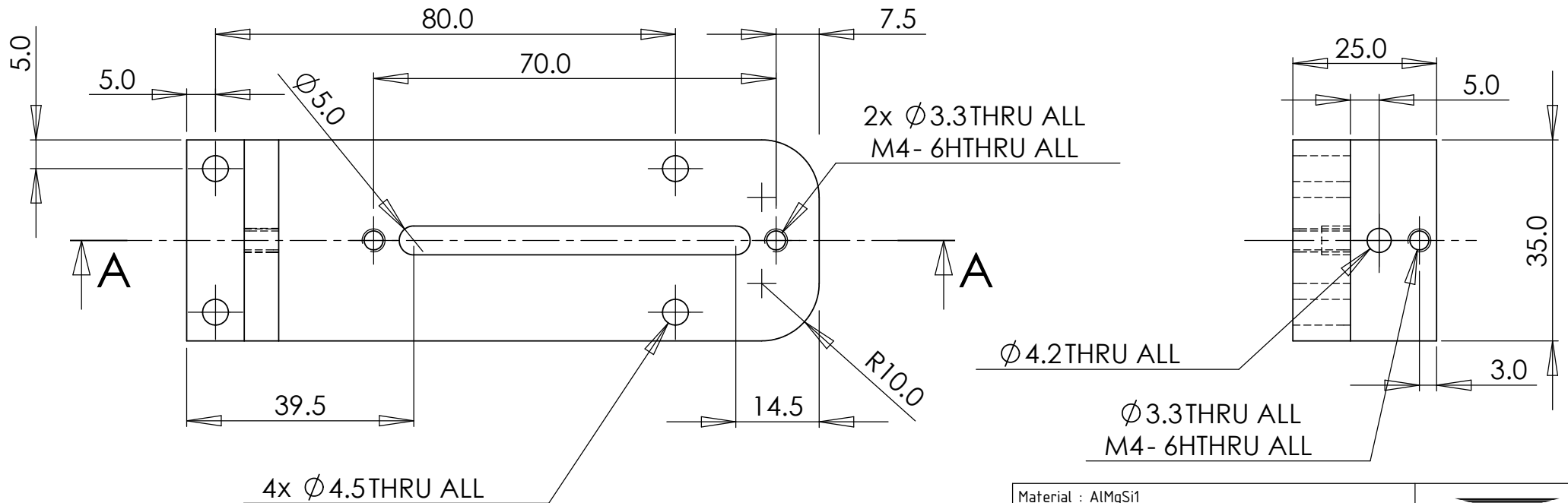
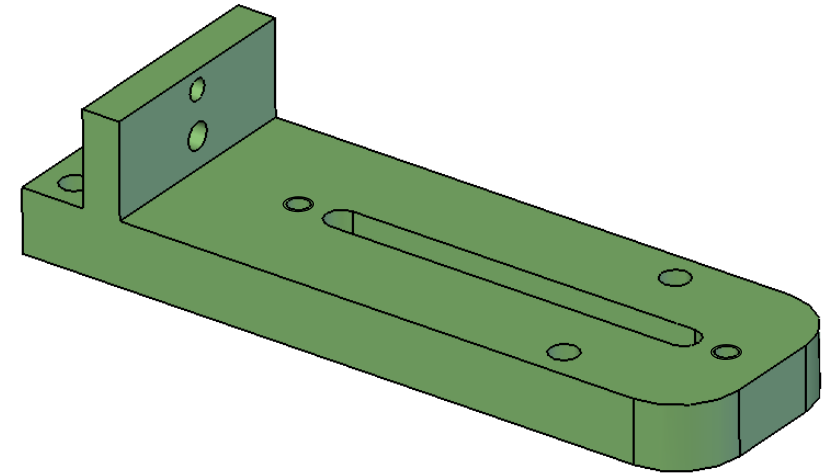


SECTION A-A
SCALE 1 : 1



Material : AlMgSi1
 Hardness :
 Roughness : 3.2 Ra
 Finish : --
 Parts should be free of burrs.



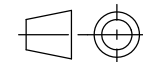
SKYSCAN nv
 Vluchtenburgstraat 3
 B-2630 Aartselaar

Draft : AS / KV
 Date : 26/10/2005

General tolerances, unless otherwise specified ;
 Algemene toleranties, tenzij anders aangegeven ;

Dim	Tol
x.x	± 0.1mm
x.xx	± 0.05mm
x°	± 30'

All dimensions in mm
 Scale 1:2 (sheet size : A4)



3001-154-2_bottom_support