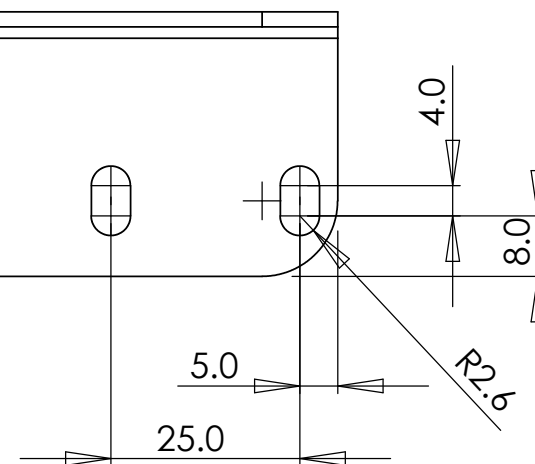


flat pattern scale 1:1

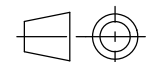


Material : stainless steel 2mm  
 Hardness :  
 Roughness :  
 Finish : --  
 Parts should be free of burrs



SKYSCAN nv  
 Vluchtenburgstraat 3  
 B-2630 Aartselaar

All dimensions in mm  
 Scale 1:1 (sheet size : A3)



Draft : AS / KV  
 Date : 25/10/2005

3001-152-1\_camera\_plate

Sheet  
 1 of 1