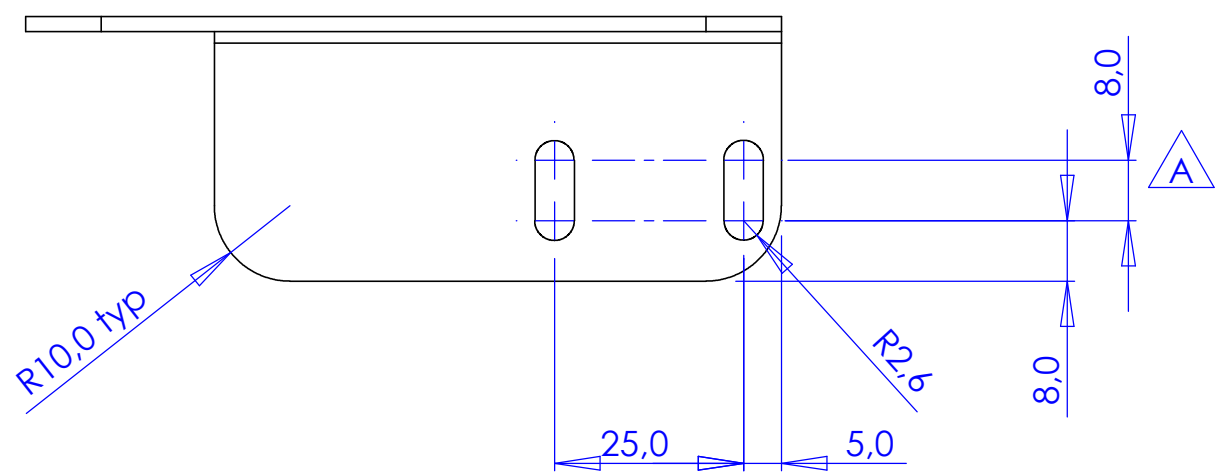


flat pattern scale 1:1



REVISIONS				
ZONE	REV.	DESCRIPTION	DATE	APPROVED
	A	dimensions of holes changed	31/07/2006	

Material : stainless steel 2mm
 Hardness :
 Roughness :
 Finish : --
 Parts should be free of burrs



All dimensions in mm
 Scale 1:1 (sheet size : A3)



Draff : AS / KV
 Date : 25/10/2005