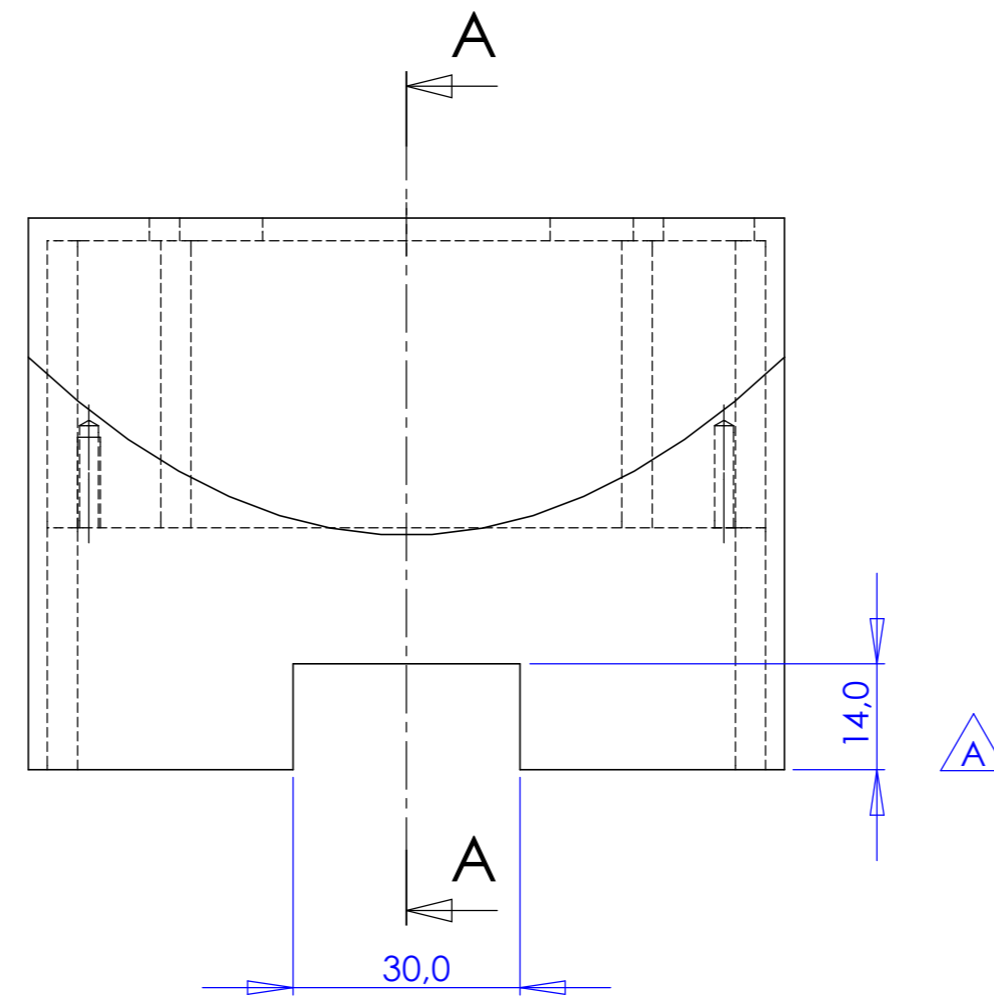


SECTION A-A  
SCALE 1 : 1



General tolerances, unless otherwise specified :  
Algemene toleranties, tenzij anders aangegeven :

Dim	Tol
x.x	± 0.1mm
x.xx	± 0.05mm
x°	± 30'

REVISIONS				
ZONE	REV.	DESCRIPTION	DATE	APPROVED
	A	Dimensins changed	22/11/2006	

Material : PA66, zwart  
Hardness :  
Roughness :  
Finish : --  
Parts should be free of burrs.

All dimensions in mm  
Scale 1:2 (sheet size : A2)



**SKYSCAN**  
Vluchtenburgstraat 3  
B-2630 Aartselaar

Draft : AS / KV  
Date : 25/10/2005

3001-137-2\_Protection\_plate

Sheet  
1 of 1