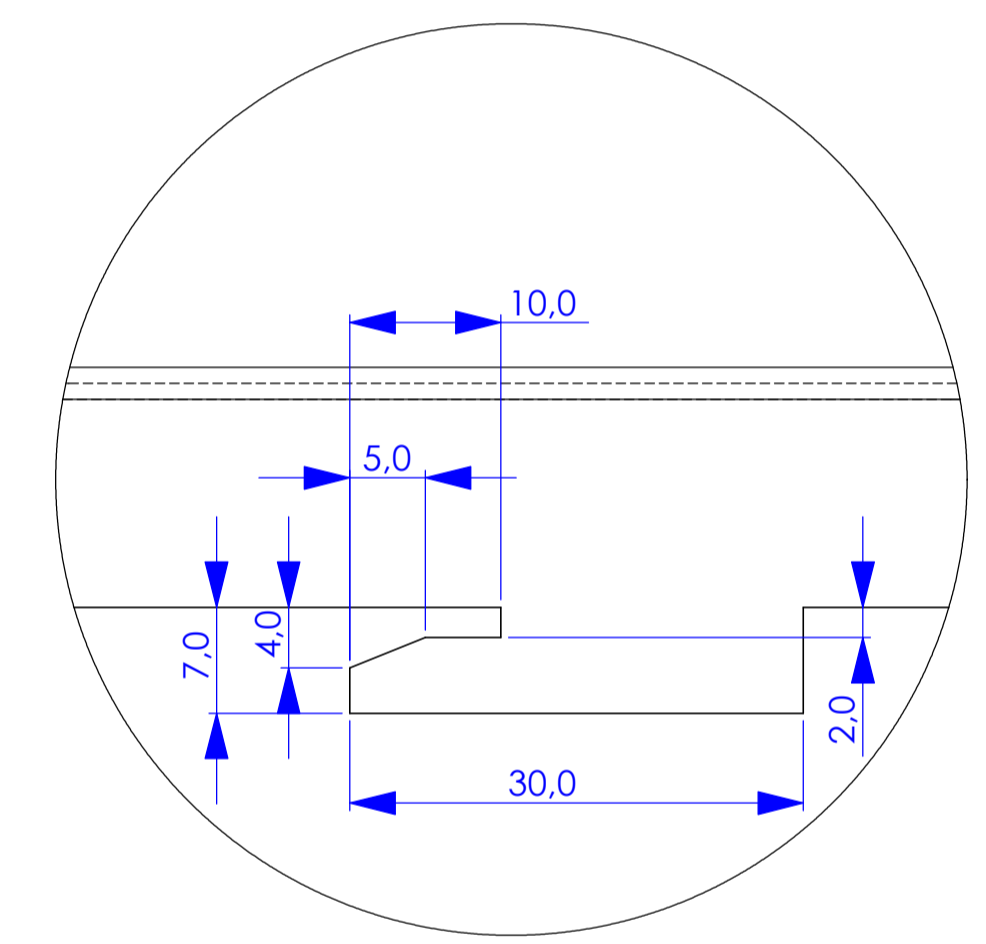
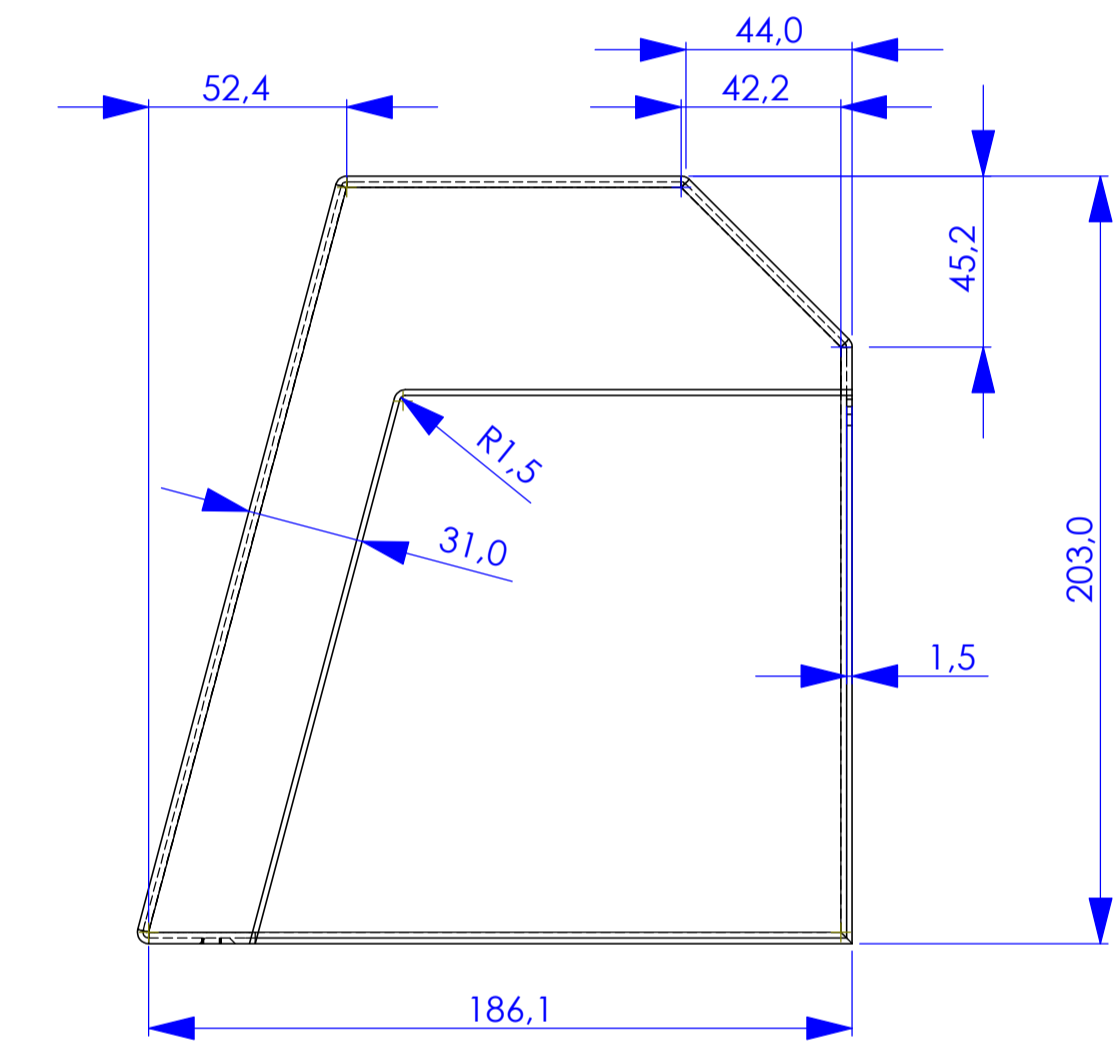
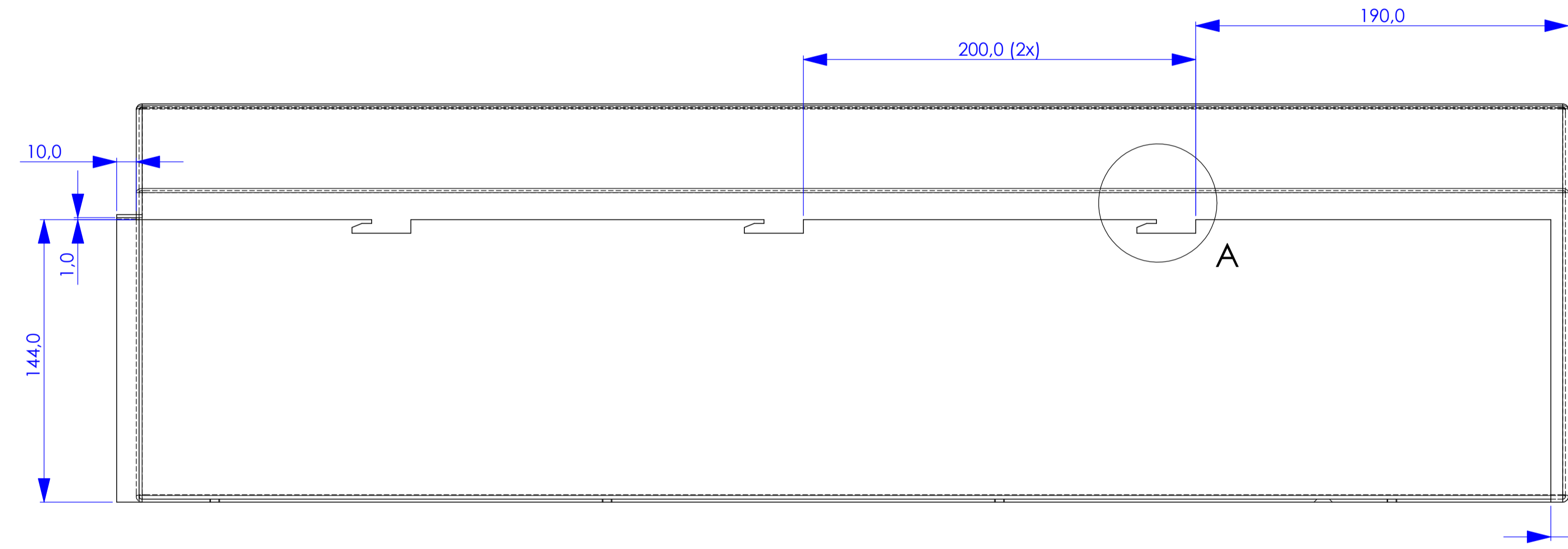
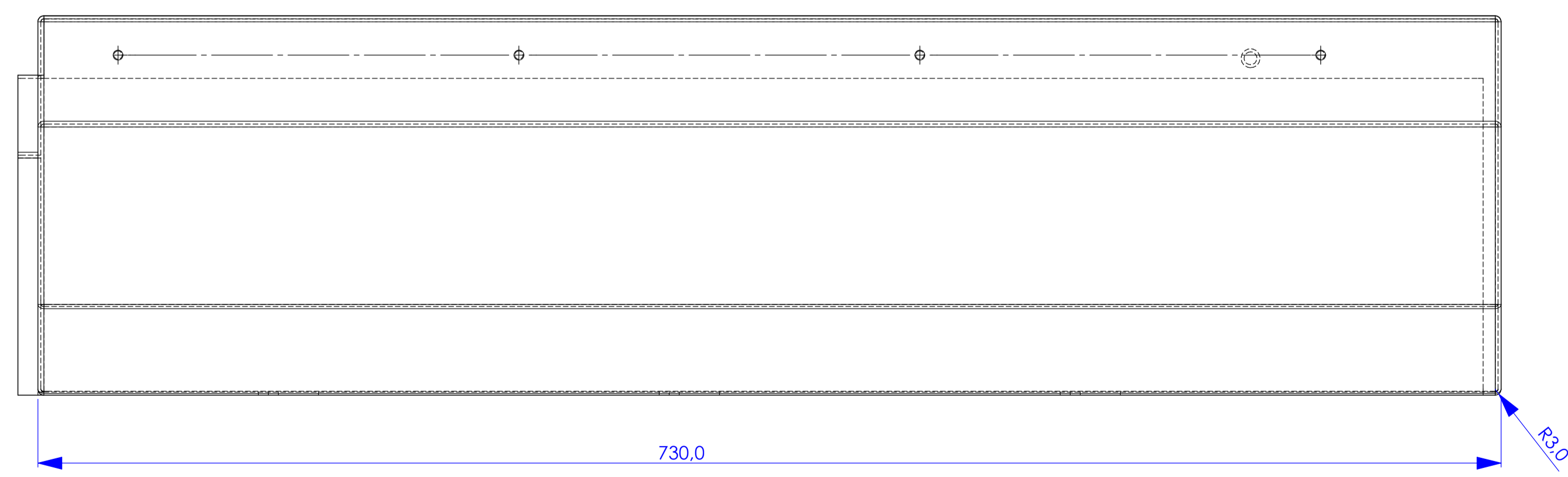


4 x \varnothing 4,2 THRU
M5 - 6H ∇ 1,5
 \varnothing 4,5 THRU
 \surd \varnothing 9,4 X 90°



DETAIL A
SCALE 2 : 1



REVISIONS				
ZONE	REV.	DESCRIPTION	DATE	APPROVED
	A	Countersunk hole added	2/08/2006	

Material : S137K 15mm
Hardness : -
Roughness : -
Finish : RAL762 structured + print (zwart)
Parts should be free of burrs.

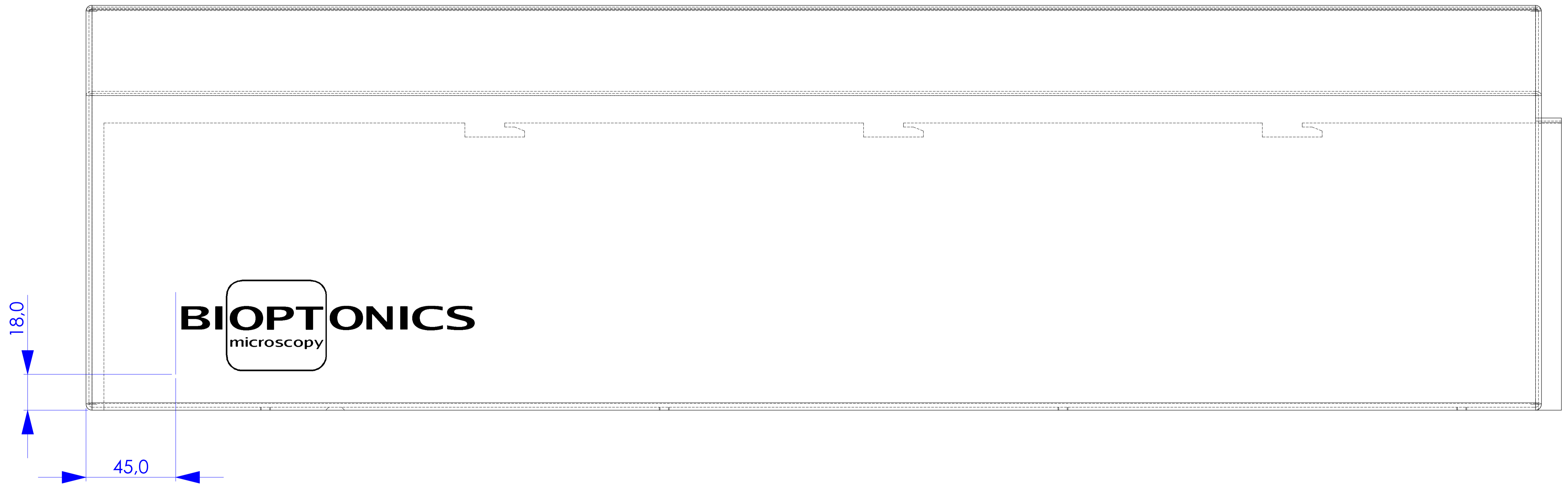
SKYSCAN
SKYSCAN nv
Vluchtendurgstraat 3
B-2630 Aartselaar
Draft : Thierry Bonami
Date : 21-03-2005

Nota : algemene buigradius = 1.5mm

All dimensions in mm
Scale 1:2 (sheet size : A1)

3001-129-1_Part_29

Sheet
1 of 2

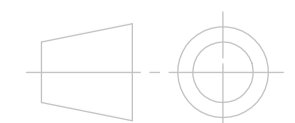


positie zeefdruk op front Skyscan 3001
kleur bedrukking : zwart

file : 3001_print_front_bw
afmetingen : 18x5.9cmbij 300dpi

Material : St37K 1.5mm
Hardness : -
Roughness : -
Finish : RAL7162 structured + print (zwart)
Parts should be free of burrs

All dimensions in mm
Scale 1:5 (sheet size : A3)



SKYSCAN nv
Vluchtenburgstraat 3
B-2630 Aartselaar

Draft : Thierry Bonami
Date : 21-03-2005

3001-129-1_Part_29

Sheet
2 of 2