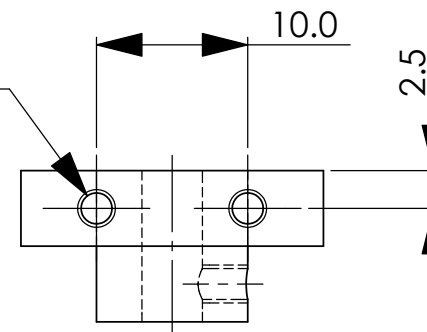
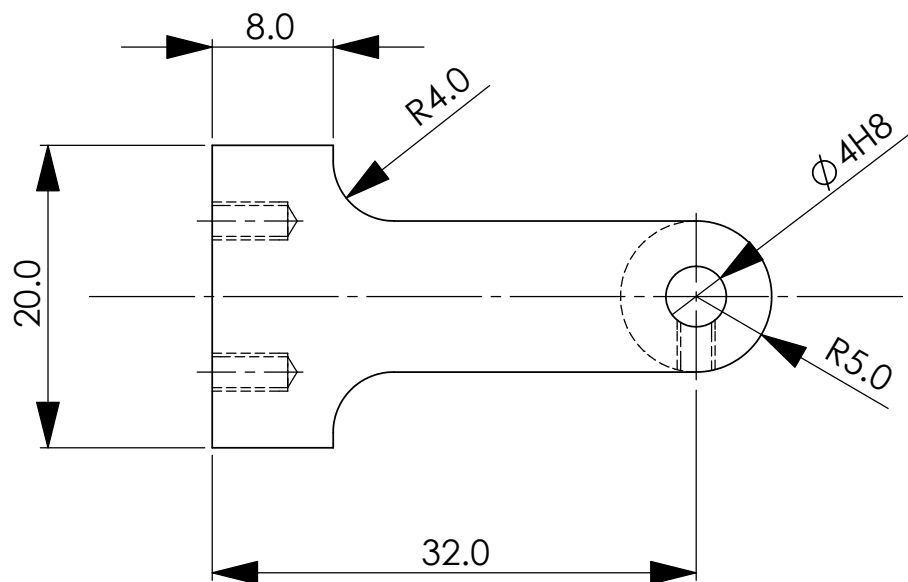
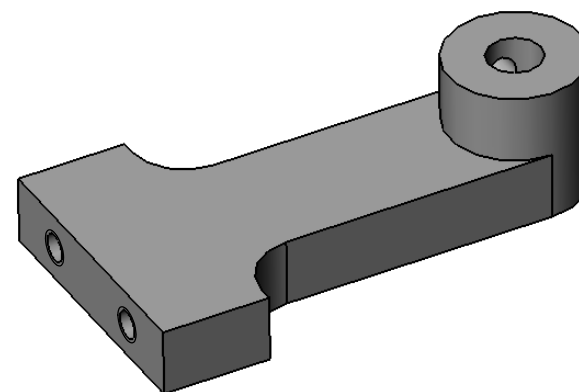


2x  $\varnothing 2.1 \sqrt{5.0}$   
M2.5 - 6H  $\sqrt{5.0}$



$\varnothing 2.1$  THRU  
M2.5 - 6H  $\sqrt{3.4}$



General tolerances, unless otherwise specified ;  
Algemene toleranties, tenzij anders aangegeven ;

Dim	Tol
x.x	$\pm 0.1\text{mm}$
x.xx	$\pm 0.05\text{mm}$
x°	$\pm 30'$

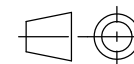
Material : CuZn39Pb3  
Hardness : -  
Roughness : 3.2 Ra  
Finish : -  
Parts should be free of burrs.

**SKYSCAN**

SKYSCAN nv  
Vluchtenburgstraat 3  
B-2630 Aartselaar

Draft : TB / KV  
Date : 24/10/2005

All dimensions in mm  
Scale 2:1 (sheet size : A4)



3001-118-1\_part\_18

Sheet  
1 of 1