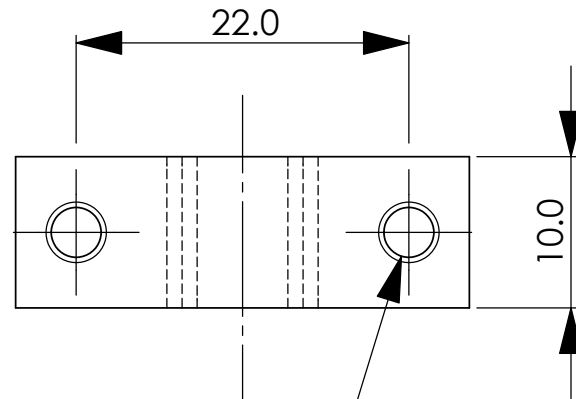
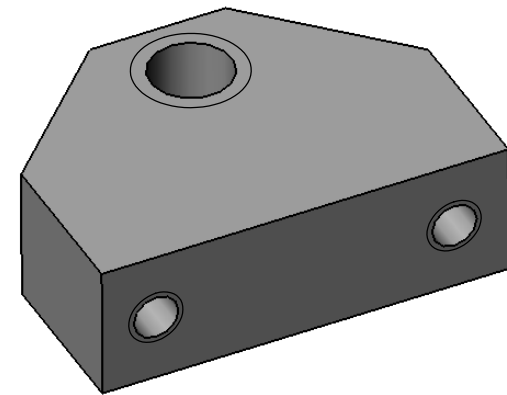


Trapezoid thread
according to
Nanotec LS4218S1404



2x $\varnothing 3.3$ THRU ALL
M4- 6H THRU ALL

Dim	Tol
x.x	± 0.1 mm
x.xx	± 0.05 mm
x°	$\pm 30'$

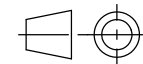


Material : CuZn39Pb3
Hardness : -
Roughness : 1.6 Ra
Finish : -
Parts should be free of burrs.



SKYSCAN nv
Vluchtenburgstraat 3
B-2630 Aartselaar

All dimensions in mm
Scale 2:1 (sheet size : A4)



Draft : TB / KV
Date : 24/10/2005

3001-114-2_part_14