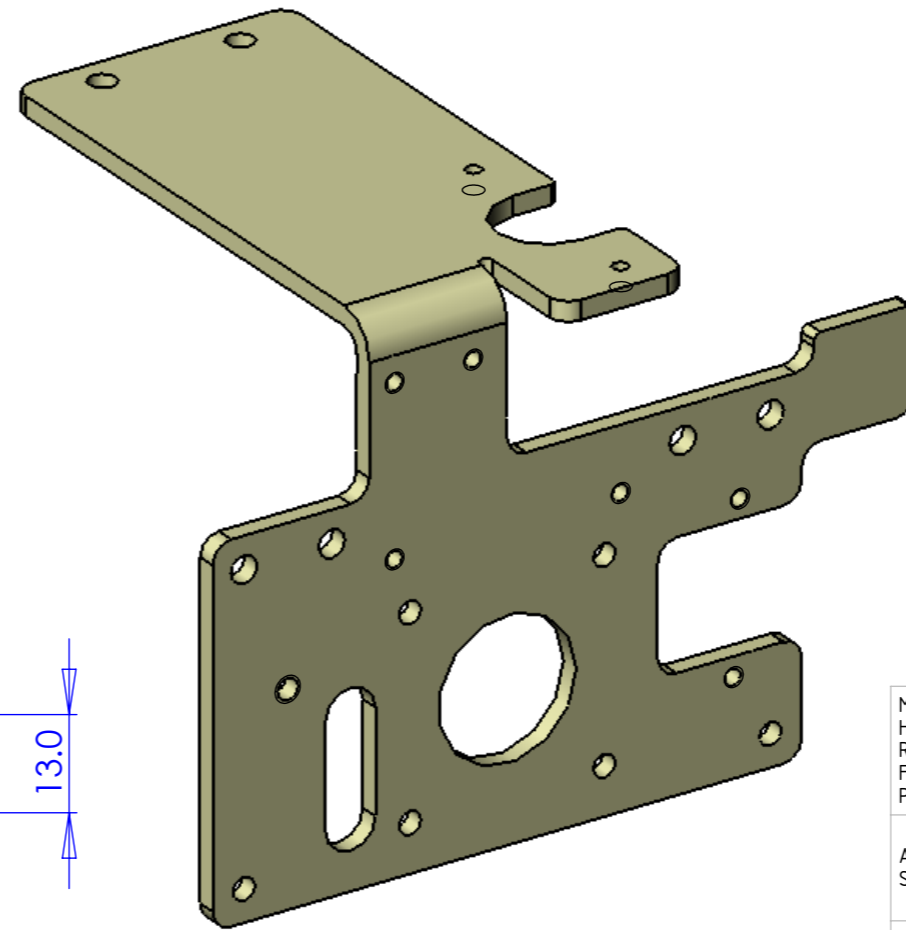
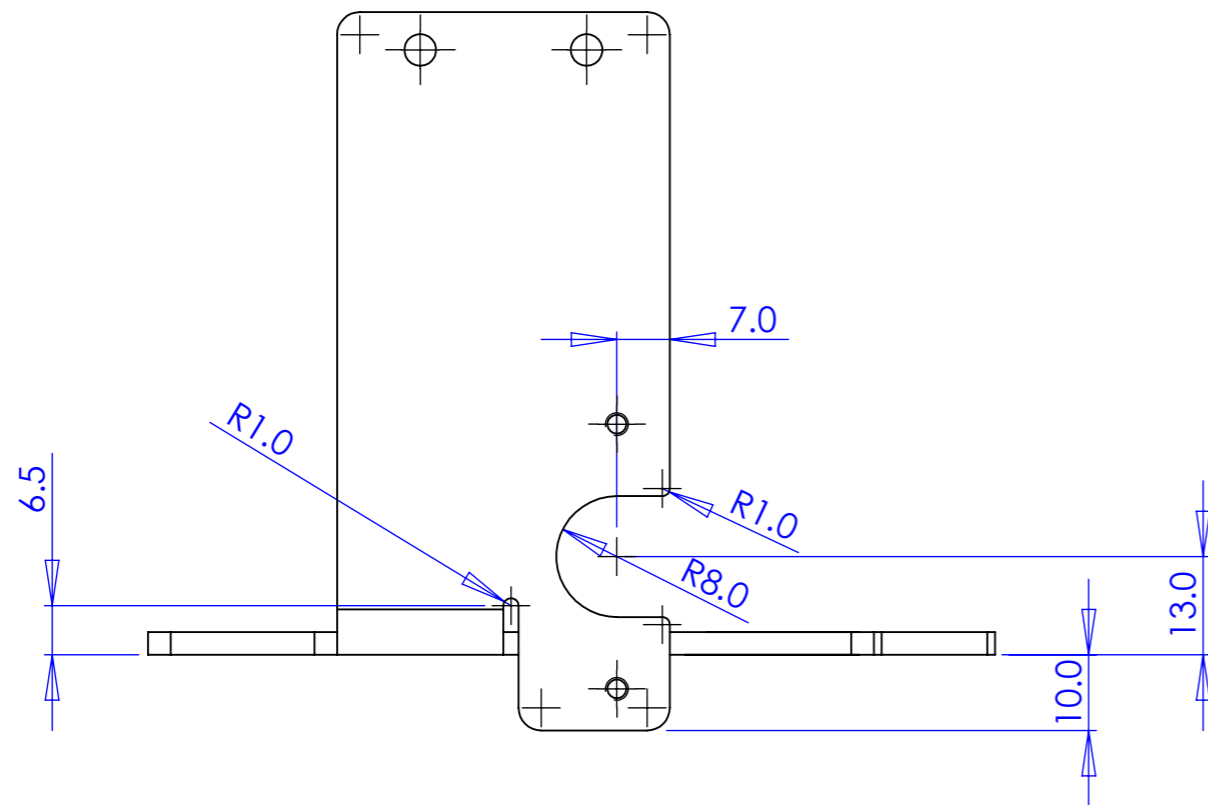
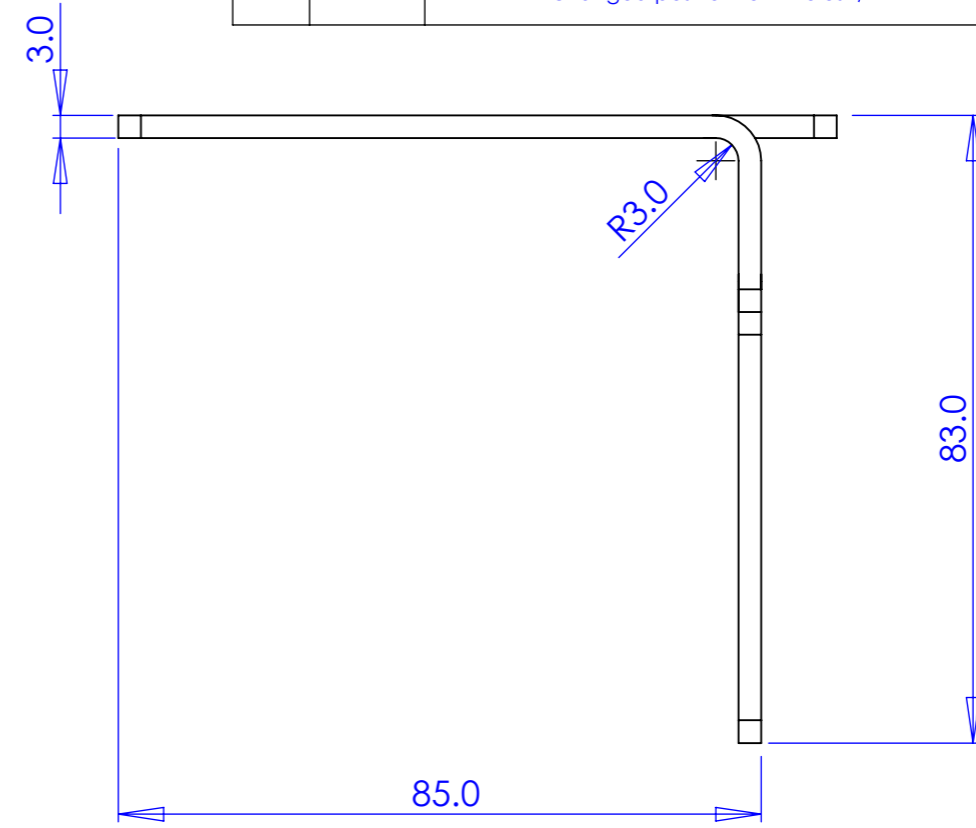
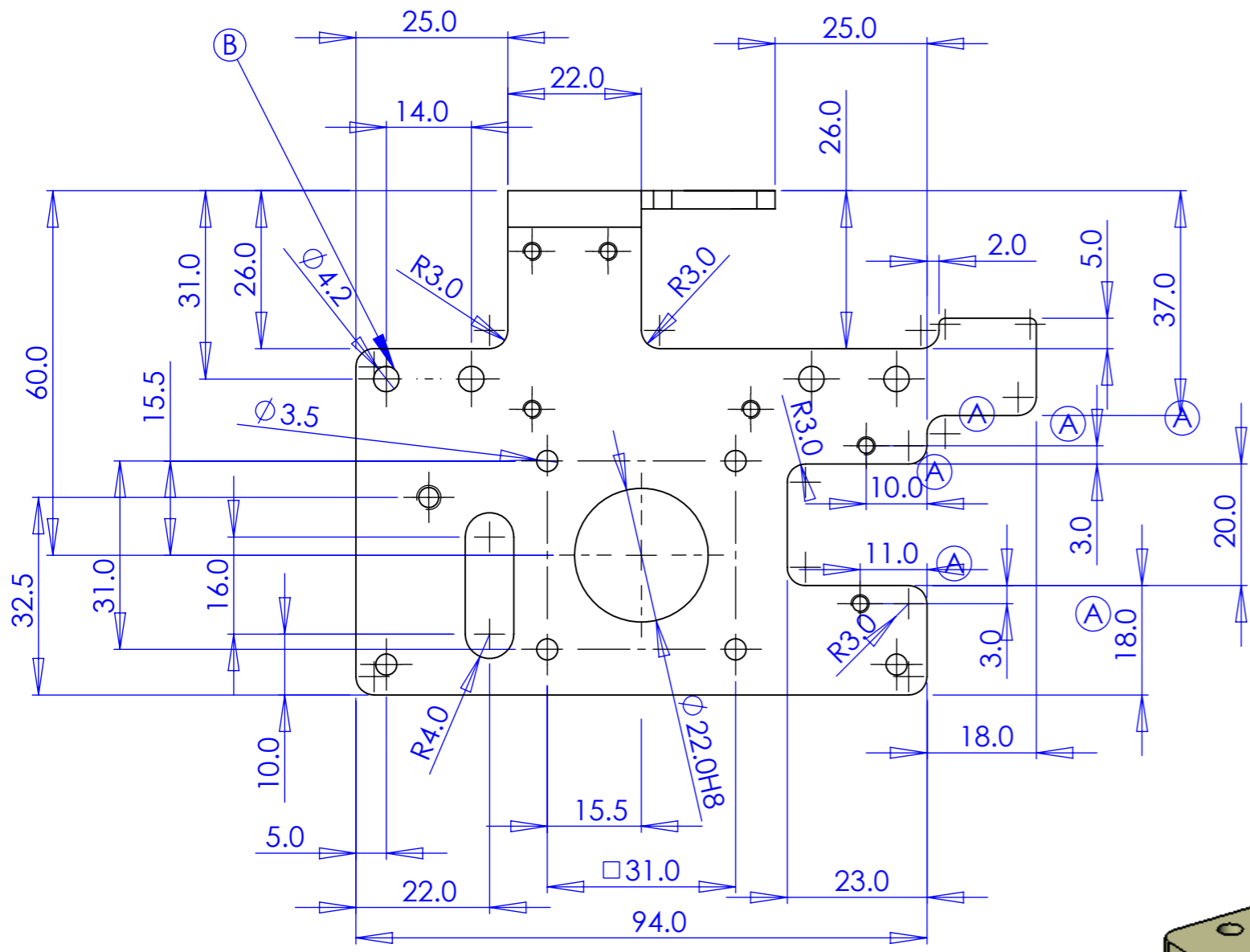


REVISIONS				
ZONE	REV.	DESCRIPTION	DATE	APPROVED
	A	hol position and cutout dimensions changed	28/01/2008	
	B	changed position for 4 holes ϕ	29/01/2008	



Material : Aluminium 3mm
 Hardness : -
 Roughness : -
 Finish : zwart geanodiseerd
 Parts should be free of burrs



SKYSCAN nv
 Vluchtenburgstraat 3
 B-2630 Aartselaar

All dimensions in mm
 Scale 1:10 (sheet size : A3)



Draff : TB / KV
 Date : 24/10/2005

3001-113-2_part_13