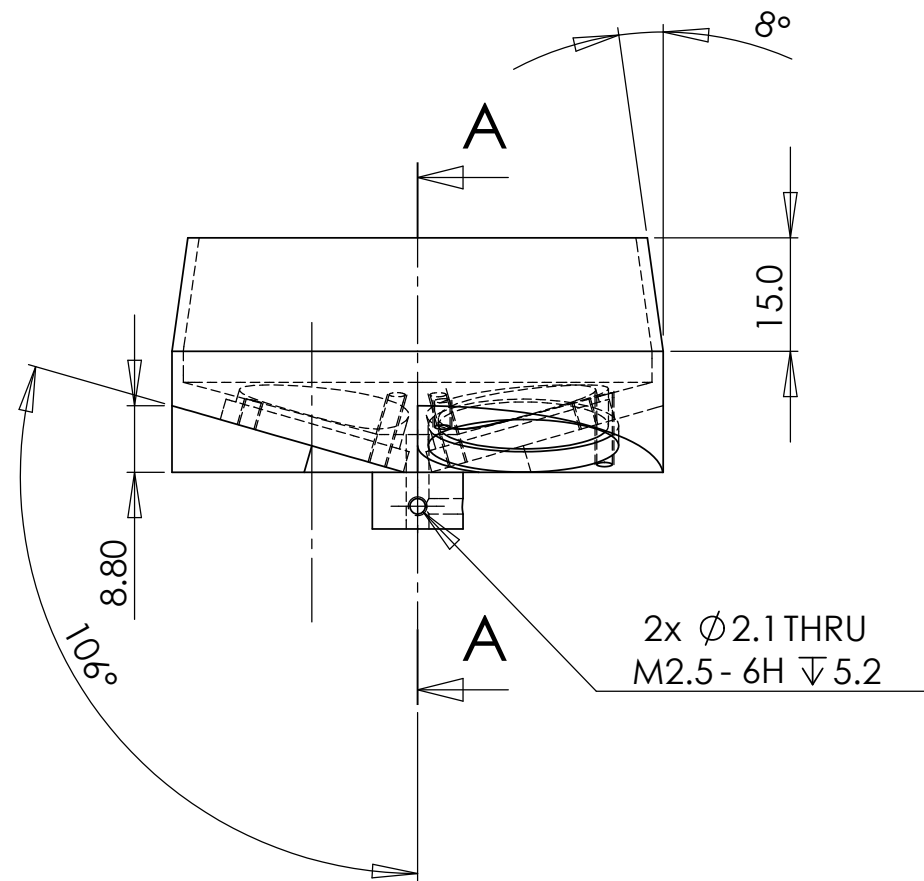
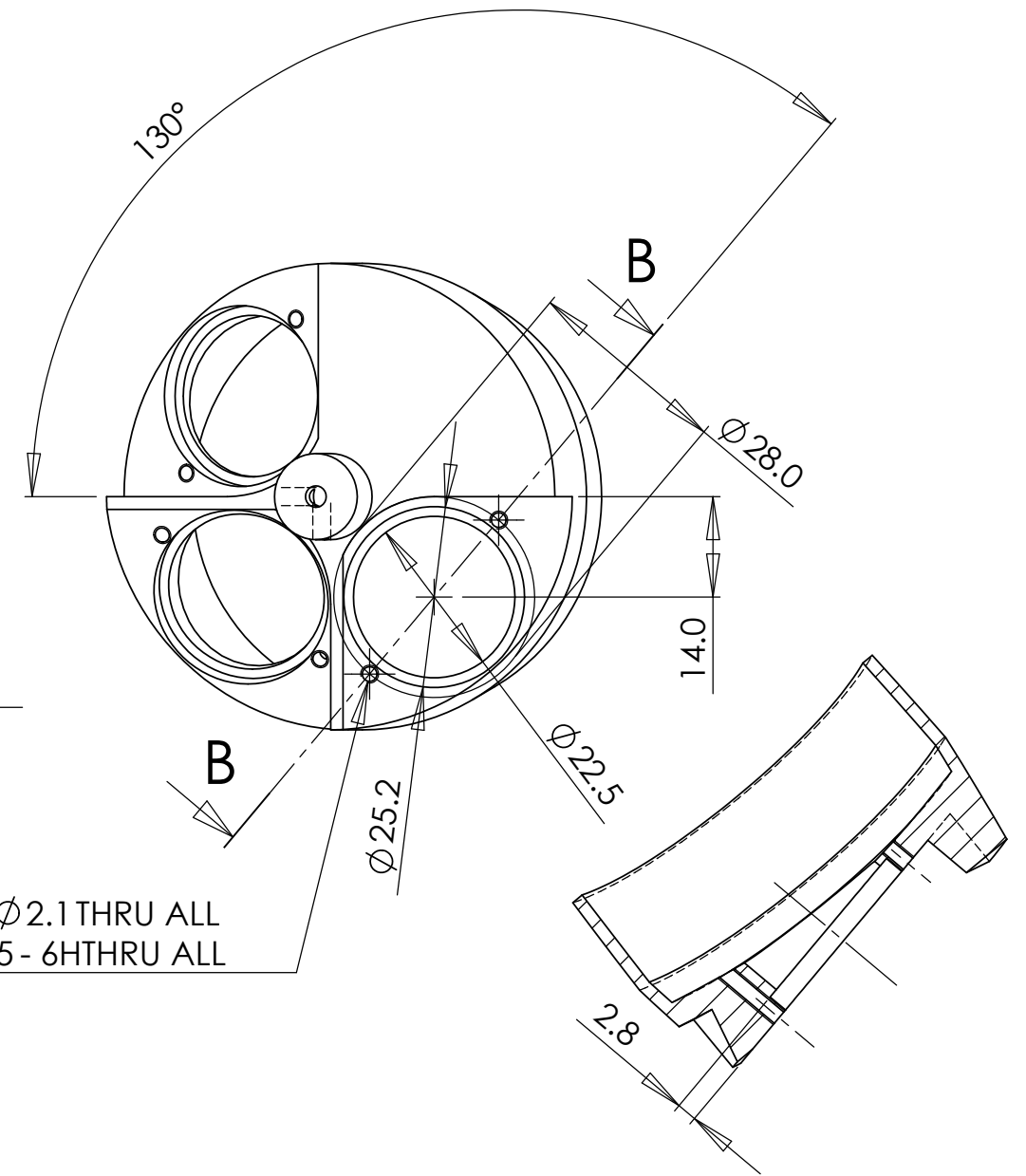


SECTION A-A

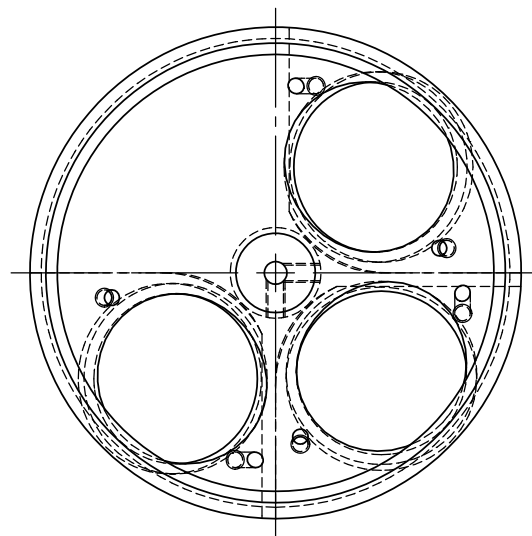
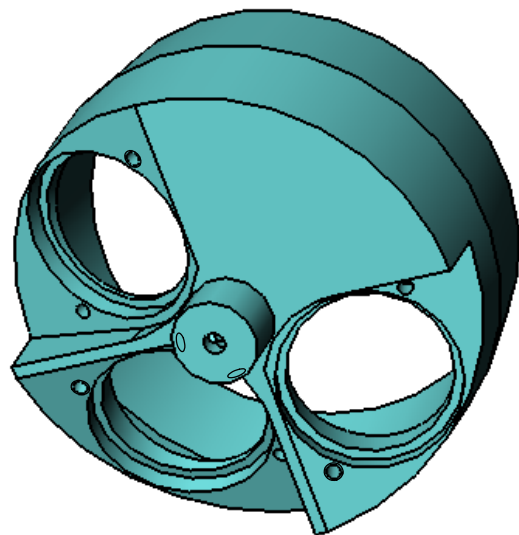


2x $\varnothing 2.1$ THRU
M2.5 - 6H $\nabla 5.2$



6x $\varnothing 2.1$ THRU ALL
M2.5 - 6H THRU ALL

SECTION B-B



Material : AlMgSi1
Hardness : -
Roughness : 1.6Ra
Finish : zwart geanodiseerd
Parts should be free of burrs

All dimensions in mm
Scale 1:1 (sheet size : A3)



SKYSCAN

SKYSCAN nv
Vluchtenburgstraat 3
B-2630 Aartselaar

Draft : TB / KV
Date : 21/10/2005

3001-109-3_part_09

Sheet
1 of 1