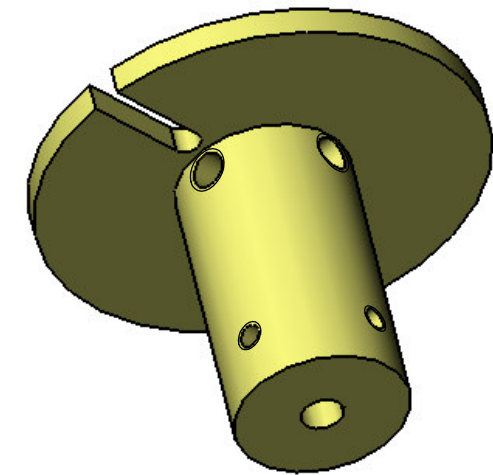
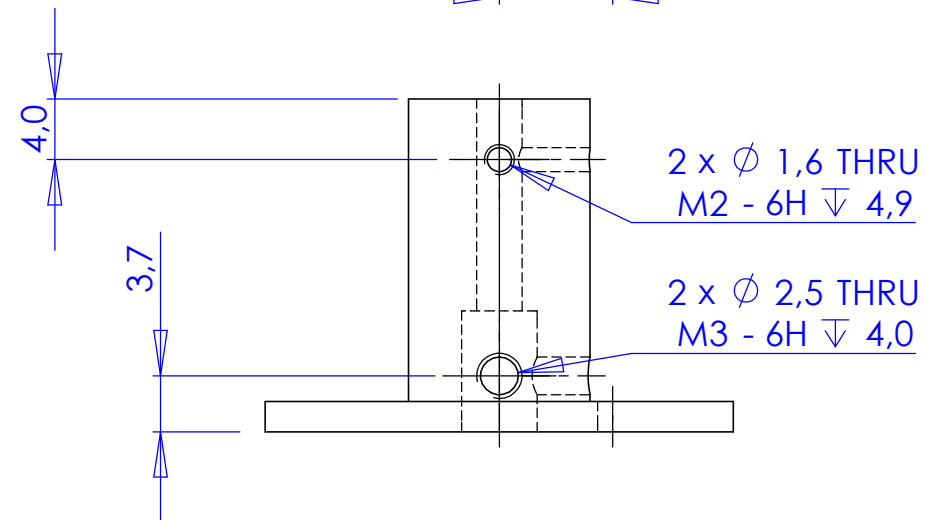
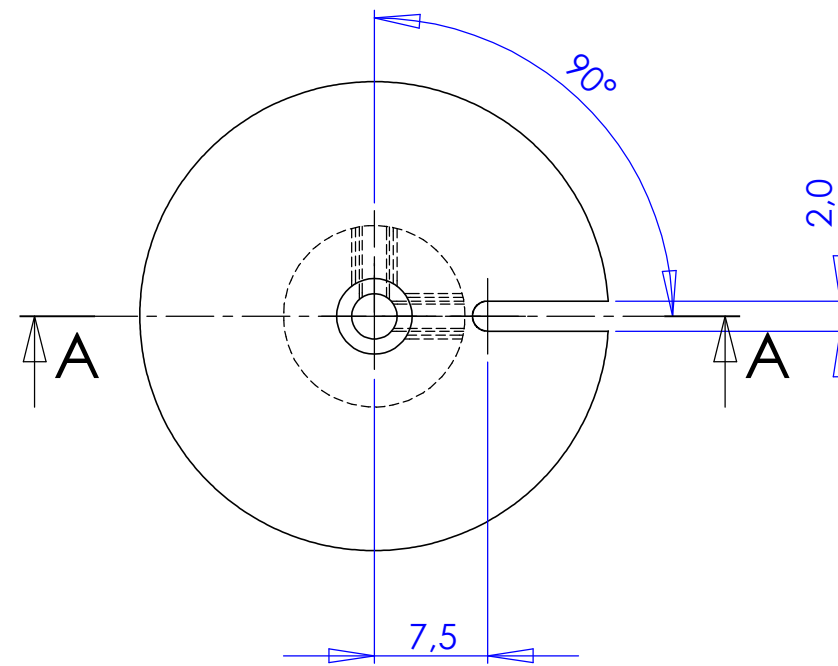
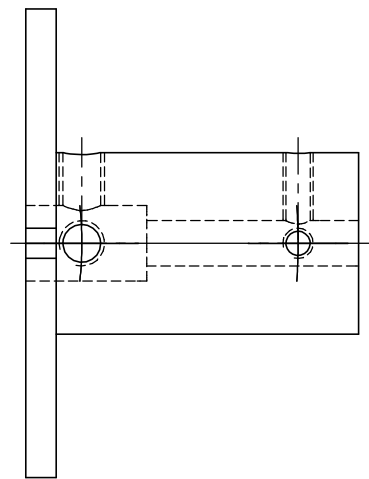


SECTION A-A  
SCALE 2 : 1



REVISIONS				
ZONE	REV.	DESCRIPTION	DATE	APPROVED
	A	Diam 31 was 33	31/10/2006	

Material : CuZn39Pb3  
Hardness : -  
Roughness : 1.6 Ra  
Finish : -  
Parts should be free of burrs

**SKYSCAN**

SKYSCAN nv  
Vluchtenburgstraat 3  
B-2630 Aartselaar

Draff : TB / KV  
Date : 25/10/2005

General tolerances, unless otherwise specified ; Algemene toleranties, tenzij anders aangegeven ;	
Dim	Tol
x.x	$\pm$ 0.1mm
x.xx	$\pm$ 0.05mm
x°	$\pm$ 30'

All dimensions in mm  
Scale 1:1 (sheet size : A3)



3001-108-1\_part\_08