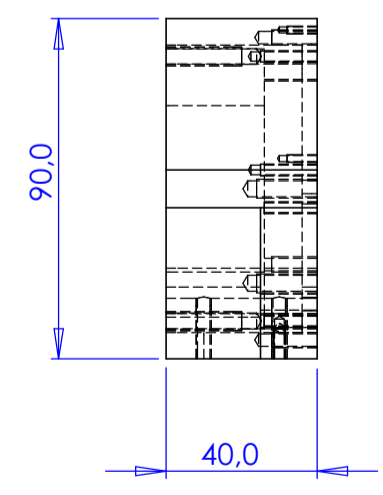
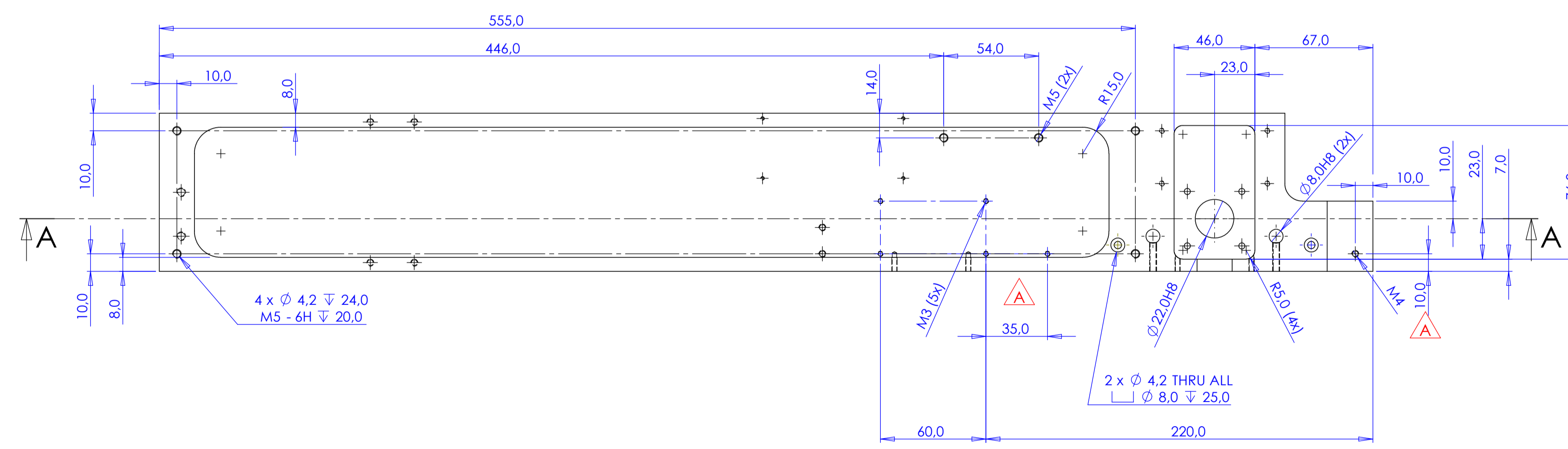
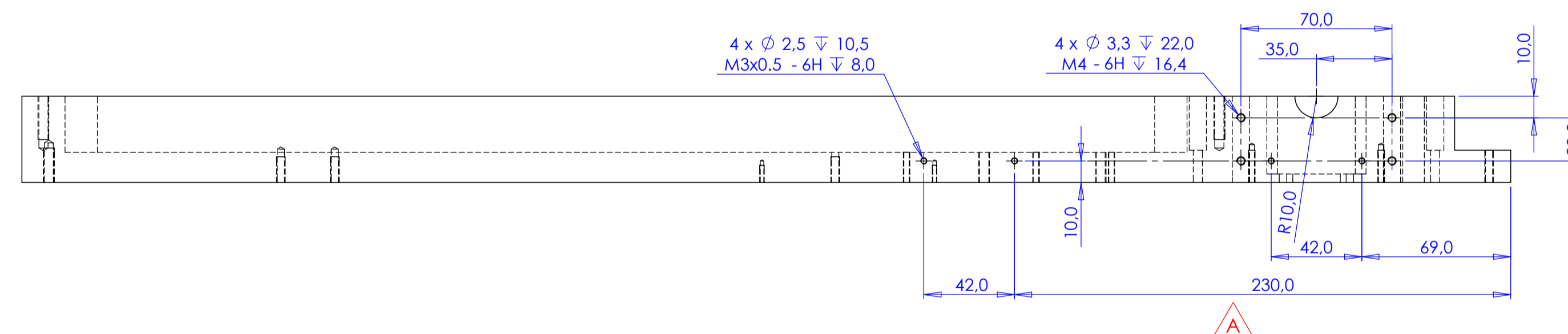
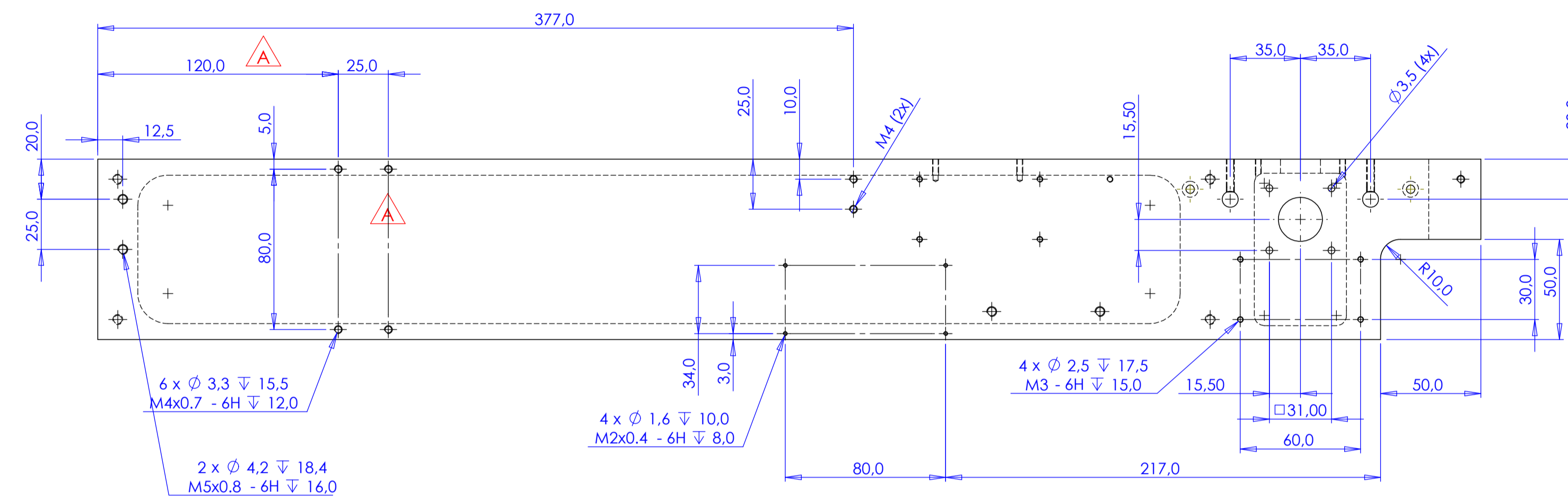


SECTION A-A



REVISIONS				
ZONE	REV.	DESCRIPTION	DATE	APPROVED
	A	Place of tapped holes changed. 1 hole removed	28/07/2006	

Material: AlMgSi1
 Hardness: -
 Roughness: 3.2 Ra
 Finish: zwart geanodiseerd
 Parts should be free of burrs.

General tolerances, unless otherwise specified:
 Algemene toleranties, tenzij anders aangegeven:
 Dim [to] ± 0.1mm
 xx ± 0.05mm
 x° ± 30°

All dimensions in mm
 Scale 1:2 (sheet size: A1)

3001-101-2_Part_01

SKYSCAN nv
 Vlietendijkstraat 3
 B-2630 Aartselaar
 Draft: TB / KV
 Date: 27/10/2005

Sheet 1 of 1